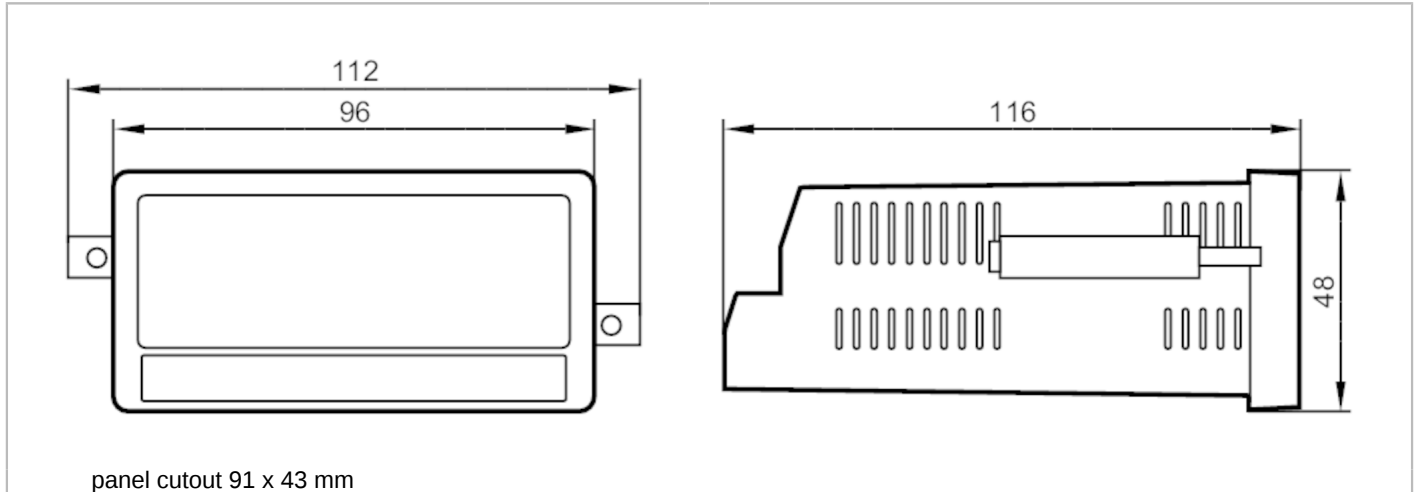


DX2021



Multifunction display for monitoring revolution, speed and time

DISPLAY/FX460/AC/DC



Product characteristics	
Dimensions	[mm] 48 x 112 x 116
Application	
Application	universal evaluation and display for all physical units which can be derived from pulse sequences
Electrical data	
Frequency AC	[Hz] 50...60
Operating voltage	[V] 115...230 AC / 18...30 DC
Current consumption	[mA] 100
Inputs / outputs	
Number of inputs and outputs	Number of digital inputs: 2
Inputs	
Number of digital inputs	2
Operating conditions	
Ambient temperature	[°C] -20...60
Storage temperature	[°C] -25...70
Protection	IP 65
Protection rating terminals	IP 20
Tests / approvals	
EMC	EN 61000-6-2
	EN 61000-6-3
	EN 61000-6-4
Mechanical data	
Weight	[g] 355
Type of mounting	panel cutout: 91 x 43 mm
Dimensions	[mm] 48 x 112 x 116
Material	Noryl UL94-V-0
Displays / operating elements	
Display	Color display full graphic LCD display, Touch screen

DX2021



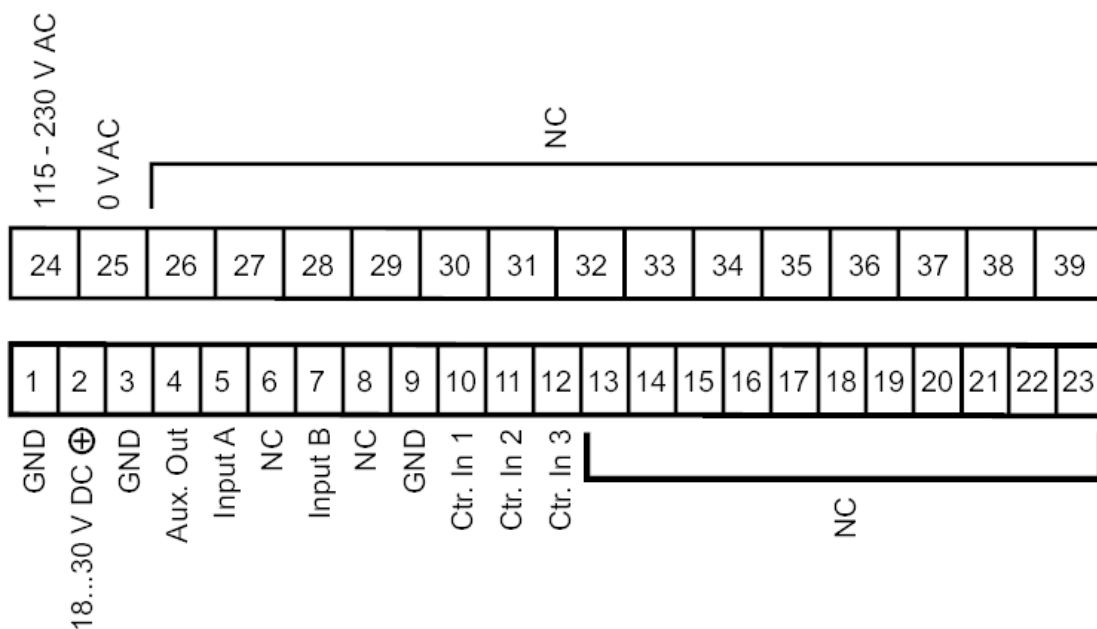
Multifunction display for monitoring revolution, speed and time

DISPLAY/FX460/AC/DC

Electrical connection

screw terminals:

Connection



NC: not used