

PERFORMANCE FEATURES

UL Listing

Suitable for wet locations

LEDs:

Lumileds 2835, high CRI.

Housing

Diecast Aluminum housing

Diffuser

Polycarbonate

Optional Accessories

- 20kva Surge-protective device
- Photocell

Finish

Long lasting dark bronze finish with high durability

Ambient Operating Temp.

-40°C (-40°F) to 45°C (113°F)

Dimming Driver:

Dimming: 0-10V dimming standard

Flicker Percent

<30%

Application

Entrance lighting, Perimeter lighting, courtyard lighting, Industrial lighting, Outdoor landscape lighting.

IESNA LM-79 & IESNA LM-80 Testing:

LED luminaires have been tested based on IESNA LM- 79 and LM-80 by a third-party laboratory

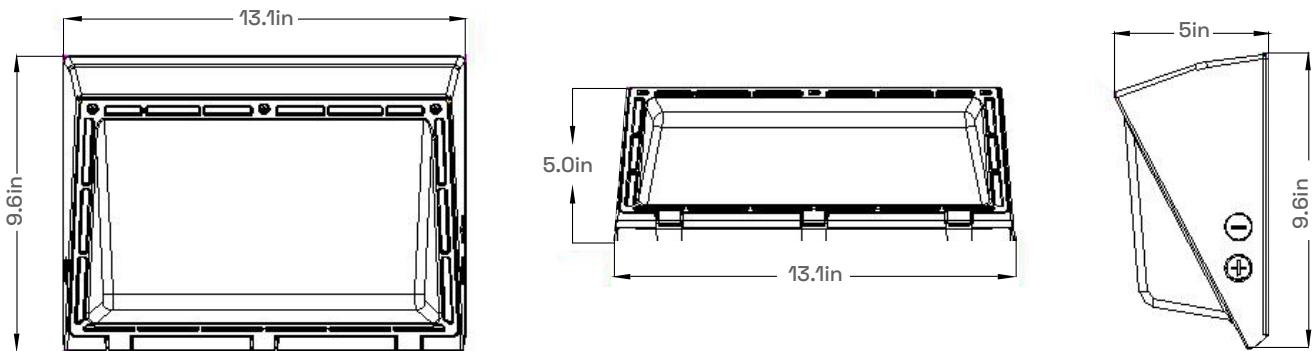
SKU GUIDE

Model Section		WPLM-60W-40K-DV2-PC-CL-BZ						
WPLM		60W	40K	DV2		PC	CL	BZ
BODY TYPE PREFIX	MODEL NAME	WATTAGE	CCT (if selectable = CCT)	DRIVER	VOLTAGE	CONTROLS	ELECTRICAL OPTIC/LENS	HOUSING FINISH
WPL	S - Small M - Medium L - Large	60W 80W 100W 120W	40K=4000K 50K= 5000K	D - 0-10V Dimming	V2 - 120-277V (Universal Voltage)	PC- Photocell Sensor	CL-Clear Lens	BZ-Dark Bronze Finish

SKU SPECIFICATION

SKU #	Nominal Wattage	CCT	Lumens	Efficacy (LPW)	CRI	Input Voltage	Operating Temp.	Certifications
WPLM-60W-40K-DV2-PC-CL-BZ	60W	4000K	8052	134	>80	120-277V	-40°C (-40°F) to 45°C (113°F)	UL listed
WPLM-60W-50K-DV2-PC-CL-BZ	60W	5000K	8093	135	>80	120-277V	-40°C (-40°F) to 45°C (113°F)	UL listed
WPLM-80W-40K-DV2-PC-CL-BZ	80W	4000K	11331	142	>80	120-277V	-40°C (-40°F) to 45°C (113°F)	UL listed
WPLM-80W-50K-DV2-PC-CL-BZ	80W	5000K	11386	142	>80	120-277V	-40°C (-40°F) to 45°C (113°F)	UL listed
WPLL-100W-40K-DV2-PC-CL-BZ	100W	4000K	13965	140	>80	120-277V	-40°C (-40°F) to 45°C (113°F)	UL listed
WPLL-100W-50K-DV2-PC-CL-BZ	100W	5000K	14100	141	>80	120-277V	-40°C (-40°F) to 45°C (113°F)	UL listed
WPLL-120W-40K-DV2-PC-CL-BZ	120W	4000K	15699	131	>80	120-277V	-40°C (-40°F) to 45°C (113°F)	UL listed
WPLL-120W-50K-DV2-PC-CL-BZ	120W	5000K	15765	131	>80	120-277V	-40°C (-40°F) to 45°C (113°F)	UL listed

PRODUCT DIMENSIONS



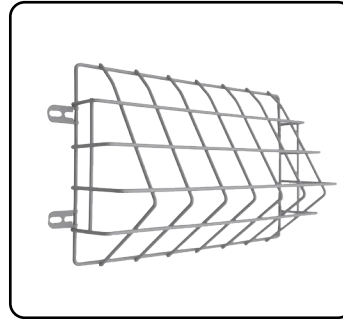
PACKAGING DIMENSIONS

SKU #	Standard Pack	Dimension	Master Pack	Dimension
WPLM-60W-50K-DV2-PC-CL-BZ	1 Pack	L 10.1 in x W 5.5in x H 13.7in	2 Pack	L 11.8 in x W 10.9in x H 14.7in
WPLM-80W-50K-DV2-PC-CL-BZ	1 Pack	L 10.1 in x W 5.5in x H 13.7in	2 Pack	L 11.8 in x W 10.9in x H 14.7in
WPLL-100W-50K-DV2-PC-CL-BZ	1 Pack	L 10.1 in x W 5.5in x H 13.7in	2 Pack	L 11.8 in x W 10.9in x H 14.7in
WPLL-120W-50K-DV2-PC-CL-BZ	1 Pack	L 10.1 in x W 5.5in x H 13.7in	2 Pack	L 11.8 in x W 10.9in x H 14.7in

ACCESSORIES



Reflector

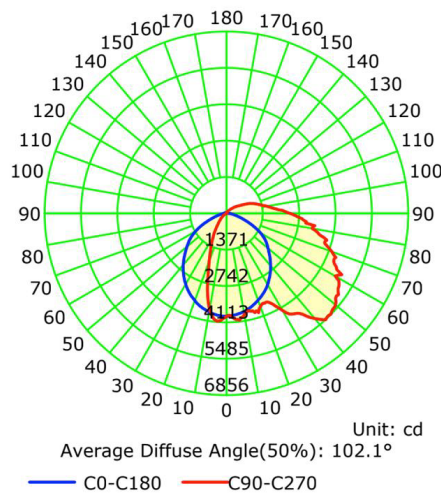


Wire mesh

PHOTOMETRICS

Model No: WPLL-100W (277V)

Luminous Intensity Distribution Curve



Note: Additional Photometrics Available Online

Medinah Power

Contact us: For support & assistance, please feel free to contact us below.

E-Mail: info@medinahpower.com | **Web:** www.medinahpower.com | **Ph:** +1 (844) 870-5337

