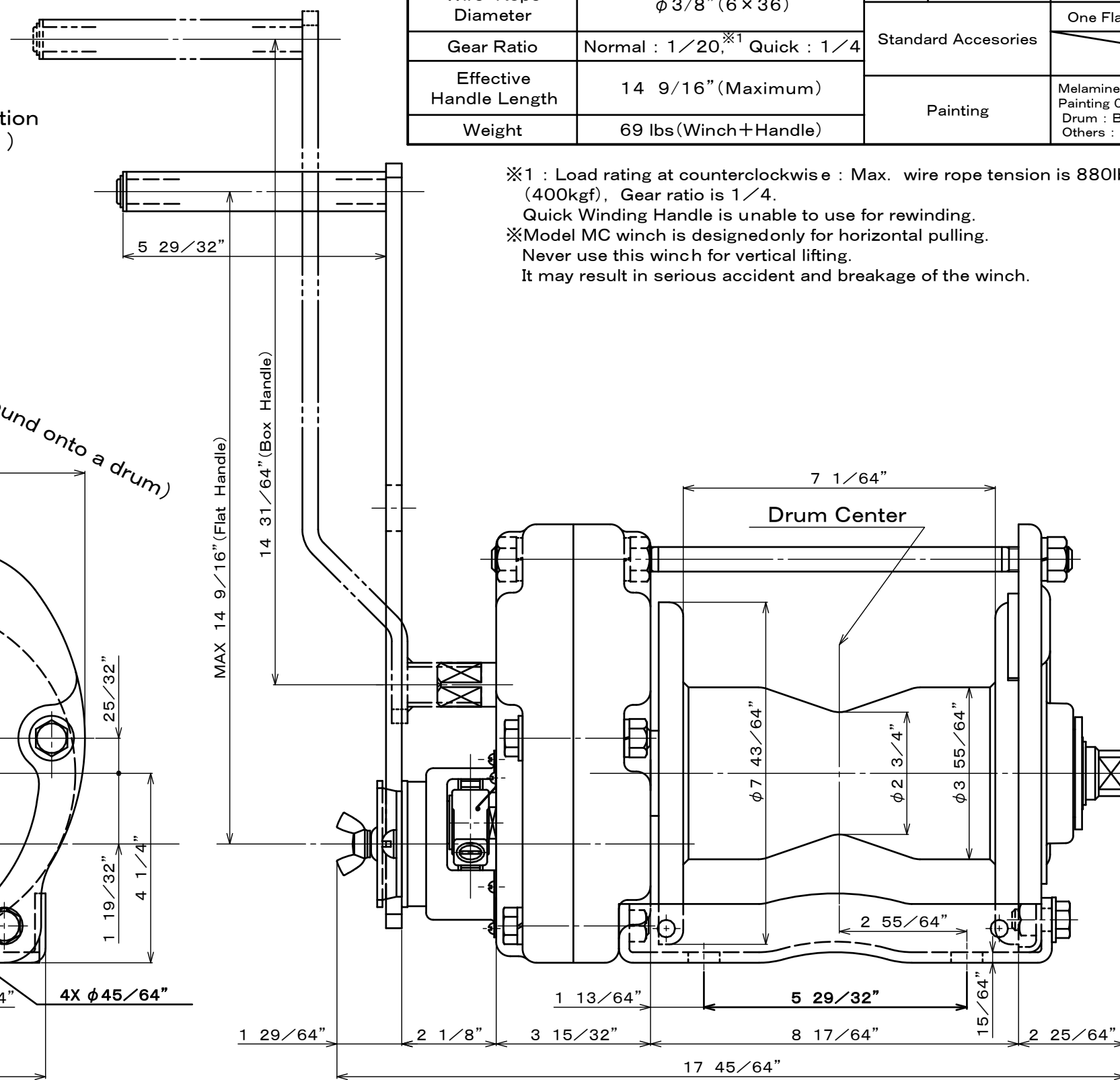
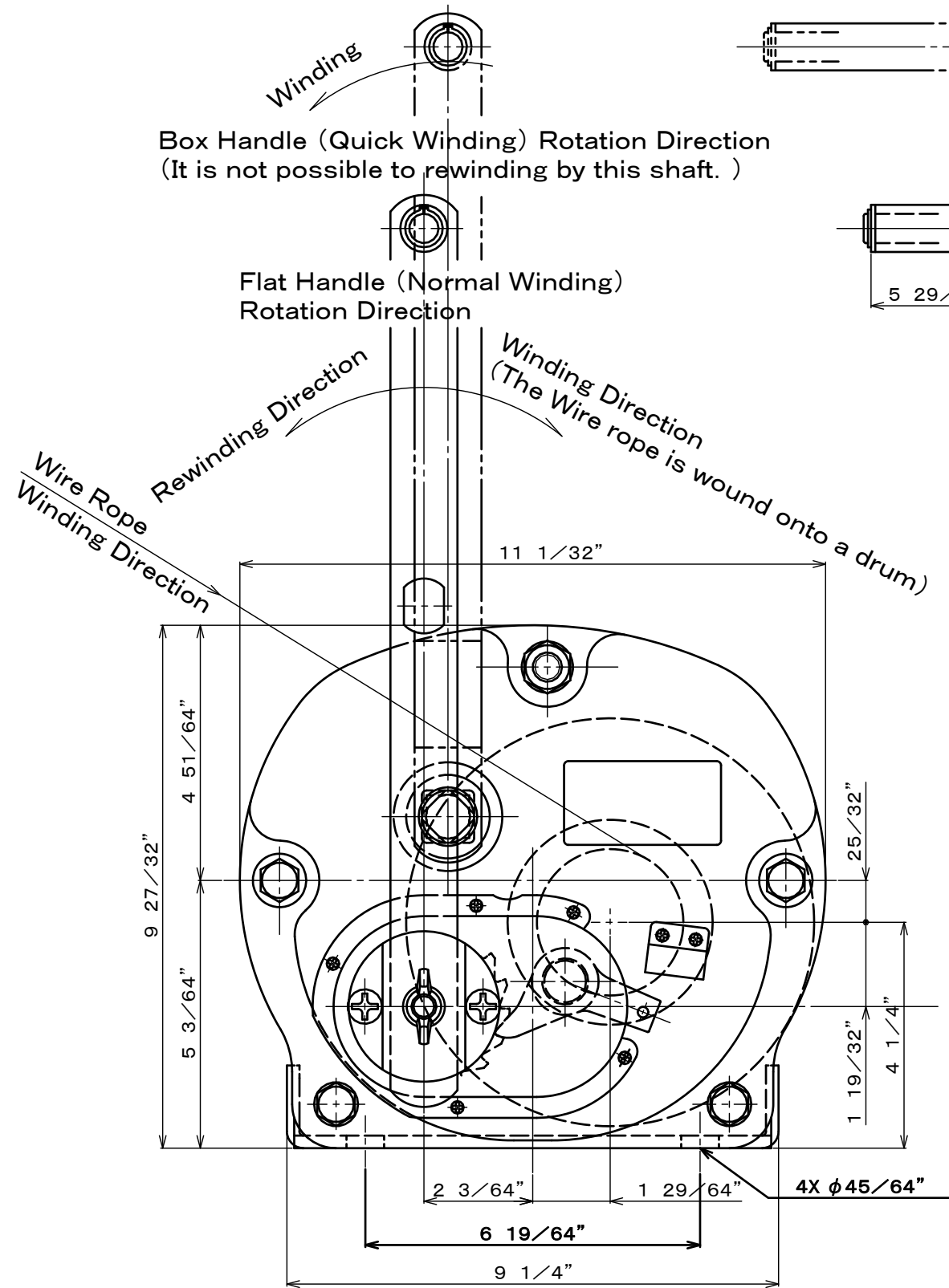


Specifications				(The wire rope composition is a manufacturer recommendation.)	
Load Rating Wire Rope Tension	4,400 lbs (=2,000 kgf)	Handle Force	Handle Length 14 9/16"	28.7lbs (= 13.0kgf)	
Wire Rope Diameter	φ 3/8" (6 × 36)		Wire Rope Tension 4,400lbs		
Gear Ratio	Normal : 1/20,※1 Quick : 1/4	Standard Accesories		One Flat Handle, One Box Handle	
Effective Handle Length	14 9/16" (Maximum)	Painting		Melamine Resin Coating At Two Layers Painting Color Drum : Black (Munsell N1 Semi Gloss) Others : Munsell 7.5YR6/11	
Weight	69 lbs (Winch+Handle)				

※1 : Load rating at counterclockwise : Max. wire rope tension is 880lbs (400kgf), Gear ratio is 1/4.  
 Quick Winding Handle is unable to use for rewinding.  
 ※Model MC winch is designed only for horizontal pulling.  
 Never use this winch for vertical lifting.  
 It may result in serious accident and breakage of the winch.



4 ×		図面番号/DRAWING No.	改訂番号 REVISION No.	お客様/CUSTOMER	符号 MARK	項目 PARTICULARS	材料 MATERIAL	数量 QTY	単体 PER ONE	合計 TOTAL	備考 REMARKS
3 ×		MC20-180402-01U	00								
2 ×		承認/APPROVED	検閲/CHECKED	作成/DRAWN	図面名/TITLE		投影法/PROJECTION METHOD				
1 ×		設計部 '18.04.05 米澤	設計部 '18.04.05 松嶺	設計部 '18.04.05 武松	MAXPULL WINCH CAPSTAN TYPE MODEL MC-20		第三角法 THIRD ANGLE PROJECTION 尺度/SCALE	台数/QTY			
改訂/REVISION											

