

4MP 4 inch 25x Color-Low-Light Network PTZ Dome Camera

IV-IP25XCLL4MPPTZ-CA



Key Features



- High quality image with 4MP,1/2.8" CMOS sensor
- 2688*1520@30fps in the main stream
- Ultra 265, H.265, H.264, MJPEG
- Triple streams
- 25X Optical Zoom
- Color-Low-Light technology ensures ultra-high image quality in low illumination environment
- Smart IR, up to 100m (328ft) IR distance
- DC 12V±25% or PoE+ (IEEE 802.3at)
- Alarm 2 in and 1 out, Audio 1 in and 1 out
- IP67 ingress protection
- IK10 vandal resistant

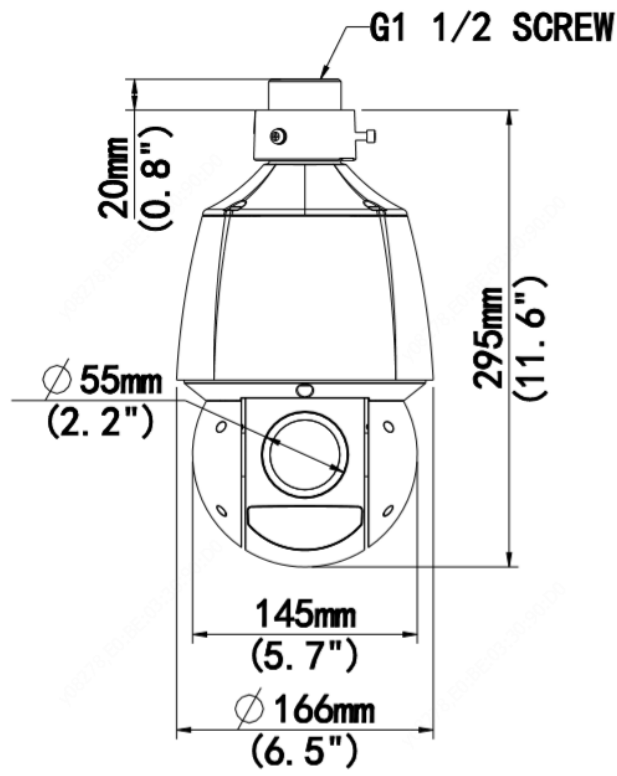
Specifications

| | | | | | |
|-------------------------|---|------------------|-----------------|-----------------|----------------|
| IV-IP25XCLL4MPPTZ-CA | | | | | |
| Camera | | | | | |
| Sensor | 1/2.8", 4.0 megapixel, progressive scan, CMOS | | | | |
| Min. Illumination | Colour: 0.003 Lux (F1.5, AGC ON) 0 Lux with IR | | | | |
| Day/Night | IR-cut filter with auto switch (ICR) | | | | |
| Shutter | Auto/Manual, 1 ~ 1/100000s | | | | |
| WDR | 120dB | | | | |
| S/N | >56dB | | | | |
| Lens | | | | | |
| Lens type | 4.8 ~ 120mm, AF automatic focusing and motorized zoom lens | | | | |
| Digital Zoom | 16 | | | | |
| Optical Zoom | 25 | | | | |
| Iris | Auto; F1.5 ~ F3.8 | | | | |
| Angle of View (H) | 52.20°~2.74° | | | | |
| Angle of View (V) | 30.81°~1.54° | | | | |
| Angle of View (O) | 64.20°~3.23° | | | | |
| DORI | | | | | |
| DORI Distance | Lens (mm) | Detect (m) | Observe (m) | Recognize (m) | Identify (m) |
| | 4.8 | 119.3(391.2ft) | 47.7(156.5ft) | 23.9(78.2ft) | 11.9(39.1ft) |
| | 120 | 2475.0(8120.1ft) | 990.0(3248.0ft) | 495.0(1624.0ft) | 247.5(812.0ft) |
| Illuminator | | | | | |
| IR Range | Up to 100m (328 ft) IR range | | | | |
| Wavelength | 850nm | | | | |
| IR On/Off Control | Auto/Manual | | | | |
| Video | | | | | |
| Video Compression | Ultra 265, H.265, H.264, MJPEG | | | | |
| Frame Rate | Main Stream: 4MP(2688*1520),Max 30fps; Sub Stream: 2MP (1920*1080), Max 30fps; Third Stream: D1 (720*576), Max 30fps; | | | | |
| Video Bit Rate | 128 Kbps~16 Mbps | | | | |
| U-code | Support | | | | |
| ROI | Support | | | | |
| Video Stream | Triple streams | | | | |
| OSD | Up to 8 OSDs | | | | |
| Privacy Mask | 24 areas, up to 4 areas per scene | | | | |
| Image | | | | | |
| White Balance | Auto/Outdoor/Fine Tune/Sodium Lamp/Locked/Auto2 | | | | |
| Digital Noise Reduction | 2D/3D DNR | | | | |
| Smart IR | Support | | | | |
| Flip | Normal/Flip Vertical/Flip Horizontal/180°/90°Clockwise/90°Anti-clockwise | | | | |
| HLC | Support | | | | |
| BLC | Support | | | | |

| | |
|------------------------|--|
| Defog | Digital Defog |
| Events | |
| Basic Detection | Motion detection, Audio detection, Tampering Alarm |
| Auto Tracking | Support |
| General Function | Watermark, IP Address Filtering, Alarm input, Alarm output, Access Policy, ARP Protection, RTSP Authentication, User Authentication |
| Audio | |
| Audio Compression | G.711U,G.711A |
| Audio Bitrate | 64 Kbps |
| Two-way Audio | Support |
| Suppression | Support |
| Sampling Rate | 8 kHz |
| Storage | |
| Edge Storage | Micro SD, up to 256 GB |
| Network Storage | ANR,NAS(NFS) |
| Network | |
| Protocols | IPv4, IGMP, ICMP, ARP, TCP, UDP, DHCP, PPPoE, RTP, RTSP, RTCP, DNS, DDNS, NTP, FTP, UPnP, HTTP, HTTPS, SMTP, 802.1x, SNMP, QoS, RTMP,SSL/TLS |
| Compatible Integration | ONVIF (Profile S, Profile G, Profile T), API,SDK |
| User/Host | Up to 32 users. 2 user levels: administrator and common user |
| Security | Password protection, Strong password, HTTPS encryption, Export operation logs, Basic and digest authentication for RTSP, Digest authentication for HTTP, TLS 1.2, WSSE and digest authentication for ONVIF |
| Client | Guard Station Star4Live Guard Viewer |
| Web Browser | Plug-in required live view: IE9+, Chrome 41 and below, Firefox 52 and below |
| Pan & Tilt | |
| Pan Range | 360° (endless) |
| Pan Speed | 0.1°/s ~ 200°/s |
| | Preset speed: 240°/s |
| Tilt Range | -15° ~ 90° (auto reverse) |
| Tilt Speed | 0.1°/s ~ 120°/s |
| | Preset speed: 200°/s |
| Number of Presets | 1024 |
| Patrol | Preset patrol, Route patrol, Recorded patrol |
| Patrol Stay Time | 15s~1800s |
| Preset Image Freeze | Support |
| Home Position | Support |
| Interface | |
| Audio I/O | 1/1 |
| Alarm I/O | 2/1 |
| Serial Port | 1 RS485 |
| Built-in Mic | N/A |
| Built-in Speaker | N/A |
| WIFI | N/A |
| Network | 1 * RJ45 10M/100M Base-TX Ethernet |

| | |
|----------------------|--|
| Video Output | 1 BNC |
| Certification | |
| EMC | FCC Part 15 EN 55032:2015 EN 55024:2010 EN 61000-3-2:2014 EN 61000-3-3-2013 |
| Safety | IEC 62368-1 EN 62368-1 UL 60950-1 |
| Environment | CE-ROHS (2011/65/EU;(EU)2015/863); WEEE (2012/19/EU); REACH (Regulation (EC) No 1907/2006) |
| Protection | Ingression protection: IP67 (IEC 60529-2013) Vandal resistant: IK10 (IEC 62262:2002) |
| General | |
| Power | DC12V(±25%,3A), PoE+(IEEE 802.3at) |
| | Power consumption: MAX 21W |
| Power Interface | Ø 5.5mm coaxial power plug |
| Dimensions (Ø x H) | Ø166 x 295mm (Ø6.5" x 11.6") |
| Weight | 3.05kg(6.72lb) |
| Working Environment | -40°C~70°C(-40°F ~ 158°F), Humidity: ≤95% RH (non-condensing) |
| Storage Environment | -40°C~70°C(-40°F ~ 158°F), Humidity: ≤95% RH (non-condensing) |
| Surge Protection | 6KV |
| Vandal Resistant | IK10 |
| Ingress Protection | IP67 |
| Reset Button | Support |

Dimensions



Accessories

IV-CE45-IN



IV-SE45-IN



IV-WE45-IN



IV-UP08-A-IN/IV-UP08-B-IN



IV-UF45-A-IN



IV-UC08-A-IN/ IV-UC08-B-IN



IV-JB12-IN



IV-WE45-B-IN

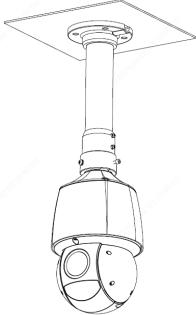
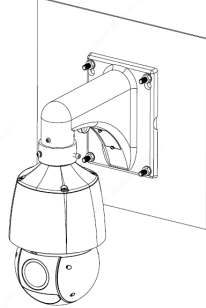
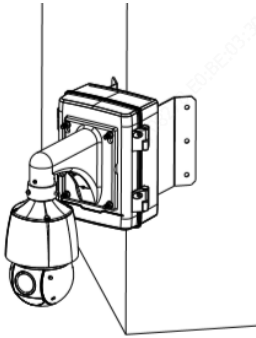
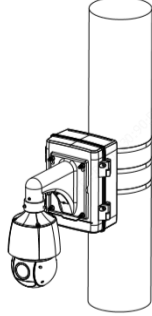


IV-SE45-A-IN



IV-WE45-A-IN



| Pendent Mount (Indoor Use) | Wall Mount |
|--|--|
| IV-CE45-IN | IV-WE45-IN / IV-WE45-A-IN |
|  |  |
| Corner Mount | Pole Mount |
| IV-UC08-A-IN + IV-JB12-IN + IV-WE45-IN | IV-UP08-A-IN + IV-JB12-IN + IV-WE45-IN |
|  |  |