

COMPLIANTMIX[®]

All-In-One Heater & Integrated Mixing Valve Provides Superior Safety and Labor Savings!



NEO-METRO[®] SLAB-EDGE[®] WALL MOUNTED CAST SOLID SURFACE BASIN
 9150 Series



GET UNLIMITED HOT WATER WITH UNLIMITED CONFIDENCE!

KEY FEATURES:

- **Meets the provisions of UPC 407.3.** Chronomite has added an ASSE 1070 and 1069 code compliant integral thermostatic mixing valve to our point-of-use thermostatic heater.
- **Prevents painful scalding injuries** - Installed at the point-of-use, maintain and limit the inlet hot water to the desired outlet temperature, serving as a safety mechanism to prevent painful scalding injuries.
- **Provides labor savings** - The new integrated TMV ensures code compliance with fewer connections and simplified fittings, no pressure or relief valve needed.
- **Lowest flow rate activation**- ultra-low flow rate of 0.20 GPM (0.75 liters)



CMI Series
CompliantMix®

ADDITIONAL FEATURES:

- Heater plus integrated direct coupled thermostatic mixing valve meets ASSE 1069, CSA B125.3-12 and ASSE 1070 compliancy
- Uses a digital microprocessor for temperature control, ultra quick response times for temperature variations - 120 times per second. Microprocessor use is the most energy efficient means of heating water
- Unlimited hot water
- Ideal for sensor/hands-free faucet with 104°F (40°C) factory preset setting
- Ultra Low Flow Activation - 0.20 GPM (0.75 LPM)
- Saves water and energy - 99% energy efficient
- Meet all CAL GREEN low flow requirements
- Vandal-resistant rugged cast aluminum housing
- Space saving compact size: 6 1/4" (H) x 12 7/8" x 2 3/4" (159 (H) x 327 x 70mm)
- Meets applicable building codes including ADA, UL, IAPMO, UPC, CSA
- Environmentally friendly
- Made in the U.S.A.
- Patent Pending

SPECIFICATION:

Chronomite CompliantMix™ - Low Activation Models are manufactured to provide reliable point-of-use hot water. There is no pressure and temperature relief valve needed*, saving time and money on installation.

Housing is fabricated from rugged cast aluminum alloy.

Element assembly is fabricated from Celcon plastic.

Heating coils are nichrome.

Faucet flow controls are supplied with each unit. 3/8" compression fittings are supplied (standard). Optional 1/2" male NPT water connections available.

GOOD

CM Series Instant-Flow® C-Micro



PROS

- Low flow activation with 0.2 GPM
- Meets LEED version 4
- Can be used on any fixture

CONS

- No integrated mixing valve

BETTER

M-MM Series Instant-Flow® Micro-Mix® Water Heater



PROS

- External mix valve
- Certified ASSE 1070

CONS

- Longer assembled unit
- Mix valve is exposed
- No 0.2 GPM flow activation
- Can only be used for hand washing

BEST

CMI Series CompliantMix®

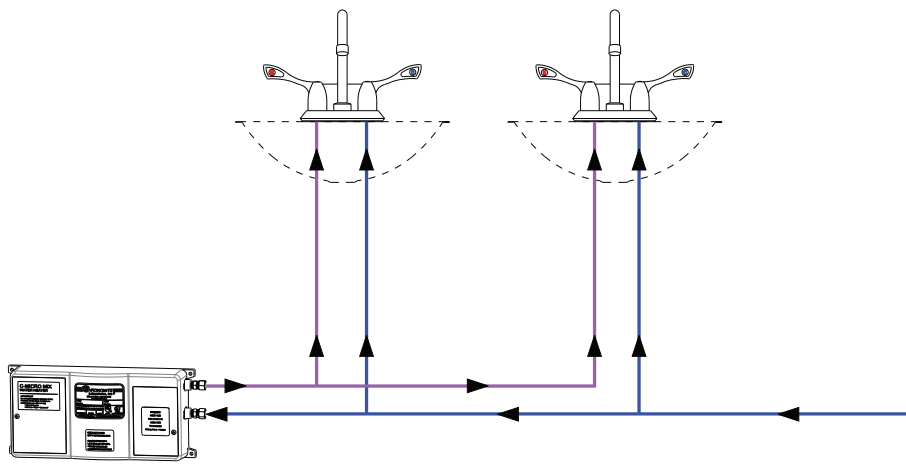


PROS

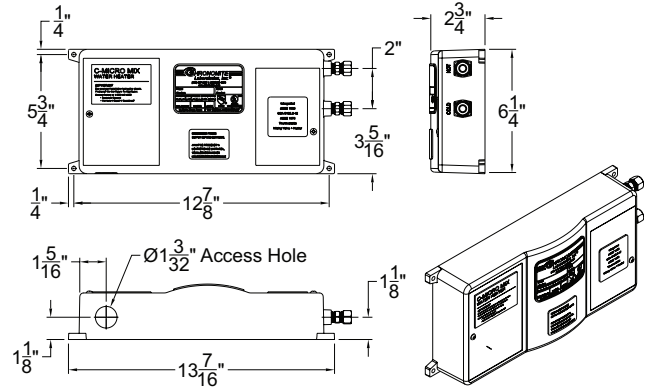
- Low flow activation with 0.2 gpm
- Integrated mixing valve
- Certified ASSE 1070 and 1069
- Can be used on hand wash or showers

CONS

- None



CompliantMix®- Low Activation	
Dimensions	6-1/4" (H) x 12-7/8" x 2-3/4"
Weight	5 lbs.
Materials	Rugged Cast aluminum housing Celcon plastic element assembly with nichrome coils
Housing Color	White
Minimum Operating Flow Rate	0.2 GPM
Minimum Operating Pressure	25 PSI
Maximum Operating Pressure	80 PSI
Maximum Pressure	150 PSI
Maximum Water Temperature	*104/110°F
Maximum Ambient Operating Temperature	*104/110°F
Listing	UL, IAPMO, UPC, ADA, ETL-C



* Limited to preset temperature selected.

COMPLIANTMIX® CMI SERIES						°F TEMPERATURE RISE @				
LOW FLOW						0.35 GPM	0.5 GPM	1.0 GPM	1.5 GPM	2.0 GPM
MODEL	ACTIVATION GPM	VOLTS	KW	AMPS	90°C WIRE					
CMI-12L/120	0.20	120	1.44	12	14 AWG	28	20	---	---	---
CMI-15L/120	0.20	120	1.80	15	14 AWG	35	25	---	---	---
CMI-20L/120	0.20	120	2.40	20	12 AWG	47	33	---	---	---
CMI-30L/120	0.20	120	3.60	30	10 AWG	70	49	25	---	---
CMI-12L/208	0.20	208	2.50	12	14 AWG	49	34	---	---	---
CMI-15L/208	0.20	208	3.12	15	14 AWG	61	43	21	---	---
CMI-20L/208	0.20	208	4.16	20	12 AWG	70+	57	28	---	---
CMI-30L/208	0.20	208	6.24	30	10 AWG	70+	70+	43	28	21
CMI-40L/208	0.20	208	8.32	40	8 AWG	70+	70+	57	38	28
CMI-12L/240	0.20	240	2.88	12	14 AWG	56	39	20	---	---
CMI-15L/240	0.20	240	3.60	15	14 AWG	70	49	25	---	---
CMI-20L/240	0.20	240	4.80	20	12 AWG	70+	66	33	22	---
CMI-30L/240	0.20	240	7.20	30	10 AWG	70+	70+	49	33	25
CMI-40L/240	0.20	240	9.60	40	8 AWG	70+	70+	66	44	33
CMI-12L/277	0.20	277	3.32	12	14 AWG	65	45	23	---	---
CMI-15L/277	0.20	277	4.15	15	14 AWG	70+	57	28	---	---
CMI-20L/277	0.20	277	5.54	20	12 AWG	70+	70+	38	25	---
CMI-30L/277	0.20	277	8.31	30	10 AWG	70+	70+	57	38	28

Notes: + = Above 70 Degrees

All heaters limited to factory set max temperature.

Local plumbing and electrical codes must be followed for this installation of the water heater and accessories.

Factory preset temperatures available at 104°F, 110°F

WARNING: Cancer and Reproductive Harm - www.P65Warnings.ca.gov



17451 Hurley Street • City of Industry, CA 91744 United States
(800) 447-4962 • www.chronomite.com

L1001437
0620

