

xantrex™ SOLAR


PWM CHARGE CONTROLLER DATASHEET


AVAILABLE IN:
30A





CLEAN DESIGN, EASY-TO-USE, PERFECT FOR BEGINNER SOLAR SYSTEMS

The Xantrex Solar PWM Charge Controller 30 features a highly-efficient PWM charging mode, designed specifically for an aesthetically clean and integrated look in an RV, boat, and truck. Intuitive and easy-to-program to get your solar system harvesting energy as quickly as possible. Equipped with best-in-class PV array and battery protections and a built-in LCD display providing real-time system data. Optional accessories include a remote battery temperature sensor.

 Advanced multi-stage charging technology, Bulk, Absorption, Float, Equalization

 Best-in-class PV array and battery protections

 Battery types supported: Sealed (AGM), Gel, Flooded, Lithium Iron Phosphate (LiFePO)

 Aesthetic flush-mount industrial design

APPLICATIONS:



**5 YEAR
WARRANTY**

www.xantrex.com
CUSTOMER CARE: 1.800.670.0707

Copyright © 2019 Xantrex LLC. All Rights Reserved. All trademarks are owned by Xantrex LLC.

ELECTRICAL DATA

CHARGE CONTROLLER	30A
Part Number	709-3024-01
Nominal System Voltage	12/24V Auto-Detect
Battery Input Voltage Range	8V to 32V
Rated Charge Current	30A
Max. PV Short Circuit Current	30A
Max. PV Open Circuit Voltage	50V
Battery Types Supported	Sealed (AGM) / Gel / Flooded / Lithium Iron Phosphate (LiFePO ₄)
Self-consumption	12V: 4.2mA 24V: 2.6mA
Temperature Compensation Coefficient	-3mV/°C/2V
Grounding	Common negative

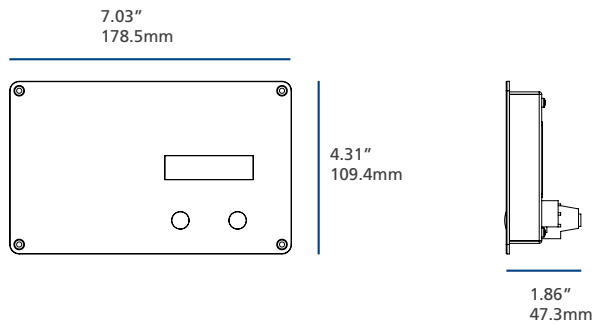
ENVIRONMENTAL DATA

CHARGE CONTROLLER	30A
Storage Temperature Range	-30°C to 80°C
Operating Temperature Range	-20°C to 55°C (fully rated output)
Relative Humidity	≤95%, N.C.
Enclosure Protection	IP30

MECHANICAL DATA

CHARGE CONTROLLER	30A
Dimensions	7.03" W x 4.31" H x 1.86" D (178.5mm W x 109.4mm H x 47.3mm D)
Net Weight	0.68lbs / 0.31kg
Max. Cable Size (PV Array and Battery)	0.63in ² (16mm ²) / 6AWG
Recommended Cable Size	0.24in ² (6mm ²) / 10AWG or larger

DIMENSIONS



PRODUCT FEATURES

- Aesthetic flush-mount industrial design
- Advanced multi-stage charging technology, Bulk, Absorption, Float, Equalization, for optimal battery charging
- Intuitive and easy-to-program
- Built-in LCD display – PV Array (Volts, Amps, Watt-hours), Battery (Volts, Temperature)
- Battery types supported: Sealed (AGM), Gel, Flooded, Lithium Iron Phosphate (LiFePO₄)
- Best-in-class PV array and battery protections
- Wide operating temperature range
- Common negative ground design
- Optional remote battery temperature sensor (lead-acid batteries only)

OPTIONAL ACCESSORY



Optimizes battery charging and battery life expectancy

REMOTE BATTERY TEMPERATURE SENSOR (708-0080)



FRONT



BACK