



Precise surveying and measuring



Industrial line



Special Tripod for Laser Scanners





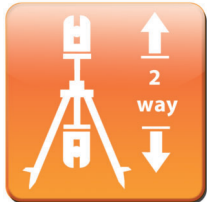
industrial line

The 2-way elevating tripod perfect for 3D Laser Scanners

The new Industrial Line elevating tripod is designed for the use of 3D laser scanners. The laser scanner can be mounted either on top or underneath the 2-way elevating tripod ensuring maximum flexibility. When mounted at the top, the laser scanner can be easily lifted to the desired working height. The indirect gear unit allows for maximum convenience. For stability reasons, the maximum working height is limited to 13'.

For shaft applications, the column can be turned and the laser scanner mounted underneath the elevating column and inserted from above the shaft cover into the shaft compartment. The toothed rack extends to almost any length. Additional rack elements are inserted into the elevating head and securely connected to the previously inserted toothed rack element with the aid of an innovative locking device.

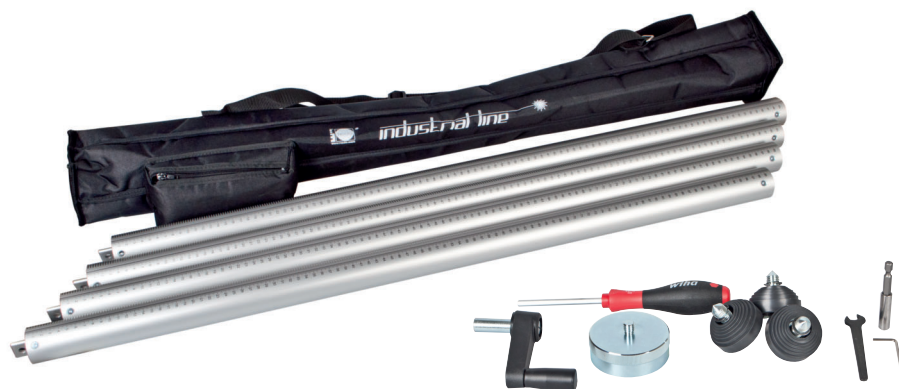
For even more comfort, the laser scanner can be lifted with a cordless power drill. A proper screw bit to replace the crank is supplied as a standard. Needless to say that the Industrial Line elevating tripod is equipped with a twist proof elevating column with centric clamping and combi tripod shoes for all-terrain use.



Circular level for simple alignment, even with an extended tripod



Industrial Line Elevating Tripod
Ref.-No. 210 710



Tripod Ref.-No. 210 710

- Min. effective height approx. 44" / 1.10 m
- Max. effective height approx. 197" / 5.00 m
- Depth of shaft approx. 157" / 4.00 m
- Retracted length approx. 48" / 1.22 m
- Holding screw: 5/8" x 11 thread
- Weight approx. 20 lbs. / 9.00 kg
- Tripod plate flat, Ø 4.3" / 110 mm
- mm graduation on telescopic tube



Video Industrial Line
elevating tripod

Scope of delivery Industrial Line elevating tripod:

Industrial Line elevating tripod with 1 elevating rack element already installed, 4 extra rack elements (1 m each), 5 mm allen key, magnetic bit holder for cordless screwdriver, hand crank, 5/8" to 3/8" adaptor, combi shoes and carrying bag for 4 rack elements

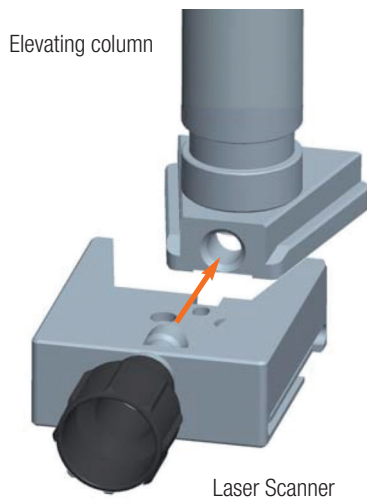
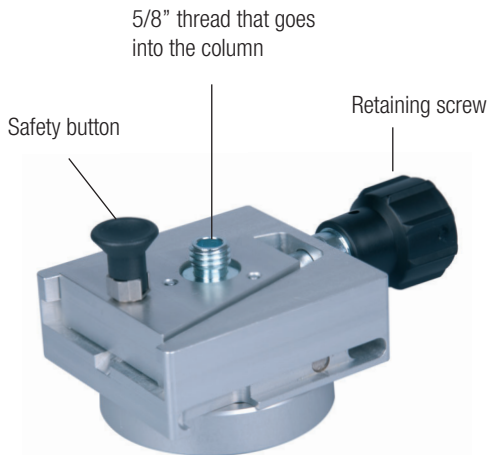


Adaptors for upside-down-use of 3D laser scanners with Industrial Line Elevating Tripods

Depending on the weight, attaching a 3D laser scanner in upside-down mode underneath an Industrial Line Elevating Tripod, by means of the connection thread, can be a difficult job. To reduce the risk of dropping the instrument and to facilitate the set up, Nedo offers adaptors for upside-down use of various 3D laser scanners. The well thought adaptors consist of two components: the first component attaches to the elevating column, the second to the 3D laser scanner.

The wedge design shape with a dovetail groove ensures easy positioning of the scanner underneath the tripod; the safety button prevents the scanner from falling down accidentally. The retaining screw keeps the scanner in position.

Including Allen key to attach adaptor to scanner.



Nedo Adaptors for Laser Scanners

Ref.-No.	
660 040	Adaptor for Faro Focus 3D
660 041	Adaptor for Leica HDS6200 as well as Zoller and Fröhlich
660 042	Adaptor for Leica Scanstation P16, P20, P30 and P40
660 043	Adaptor for TRIMBLE TX8



Video Adaptors for Laser Scanners for Industrial Line elevating tripods

Tripod Dolly for Industrial Line Tripod

Sturdy tripod dolly with large steerable and lockable wheels. The points of the tripod are placed in the recesses provided, and the shoes are secured with a flexible strap. Easy, safe and convenient.

The tripod dolly has only two shanks, allowing it to be maneuvered through narrow doors and providing easy access to a laser scanner. The dolly can be folded up to save space in transport.

Ref.-No. 660 030



Extra Rack element for Industrial Line Tripod

Extra rack element, 1m for Nedo two way elevating tripod Ref.-No. 210 710.

Ref.-No. 660 020



Adapter

Adapter with Leica tip
For attachment of a Leica-compatible prism. Perfect for quick positioning of a 3D scanner using a total station.

Ref.-No. 660 050



Tripod bag for Industrial Line Tripod 210710

Length: 1350 mm

Ø: 250 mm

Ref.-No. 655 115-613



5/8" to 3/8" Tripod adaptor

Tripod adaptor made of metal.

Order information:

- Ref.-No. 061 837 Adaptor for 5/8" thread to 3/8" thread (suitable for Faro Focus 3D and Trimble TX5)



Transport Case

Transport case for 4 rack elements and accessories.
(Racks not included)

Ref.-No. 660 025



Precise surveying and measuring

Nedo

2200 Ampere Drive · P.O. Box 99556
Louisville, KY 40269-0556

Toll-free 866-ask-nedo · 866-275-6336
Fax 502-266-5280

sales@usa.nedo.com
www.usa.nedo.com

Your Nedo Dealer